



ETAT DE FRIBOURG
STAAT FREIBURG

Portail cartographique du
canton de Fribourg

Légende

Parcellaire

Biens-fonds en vigueur

Parcelle Art. 574
Michael et Valentine
Grössl

Pergola bioclimatique

Portail cartographique du canton de Fribourg

Description

Imprimé le 16.04.2026

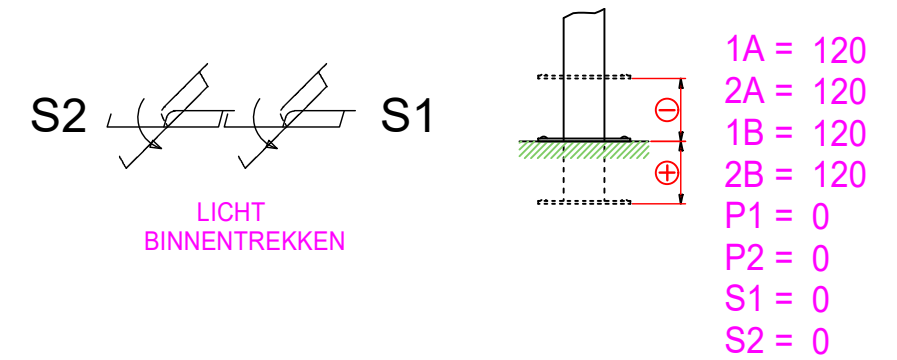
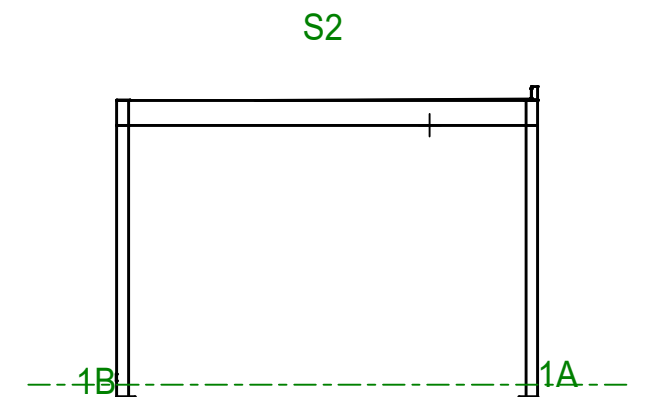
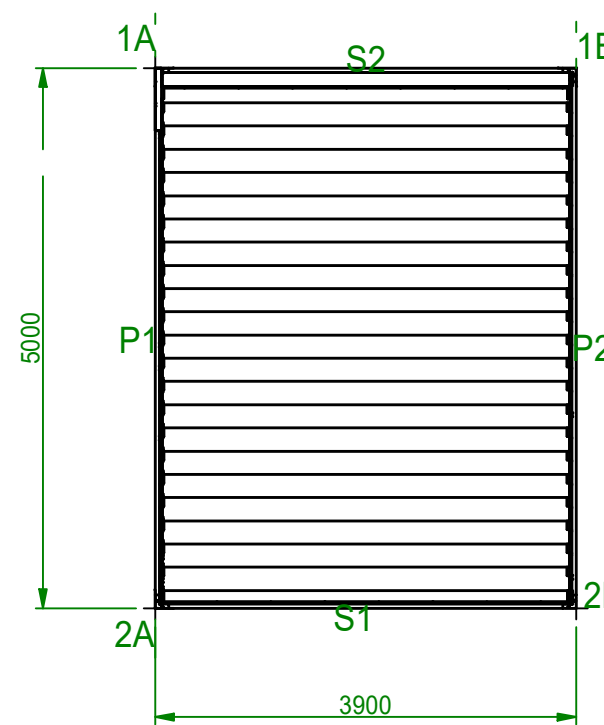
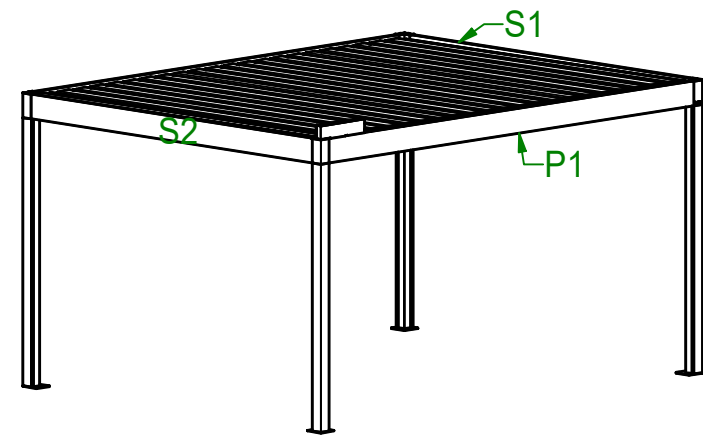
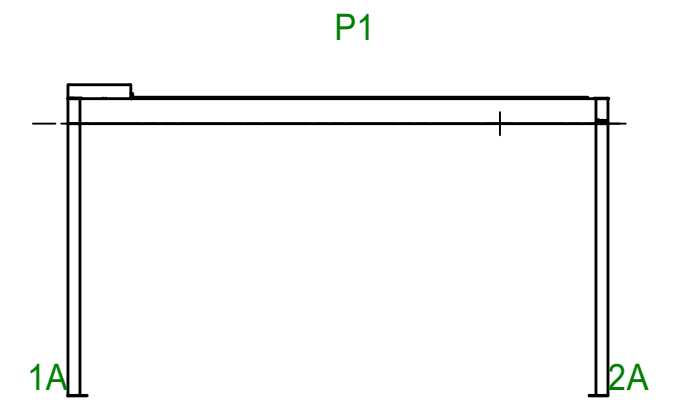
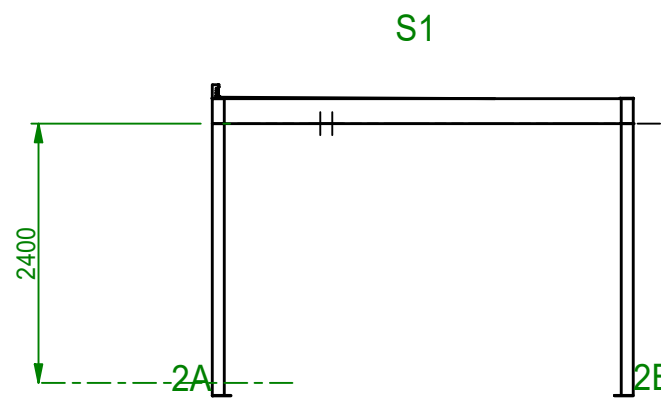
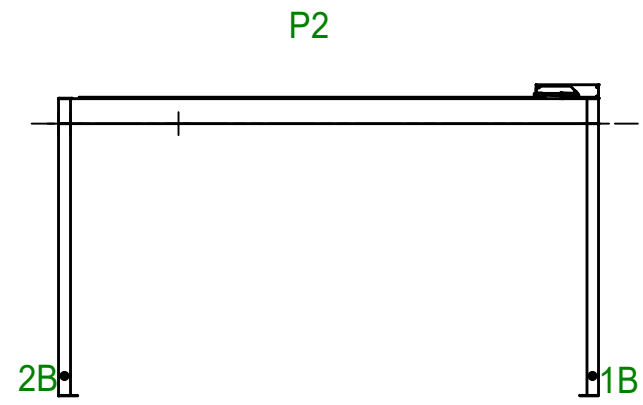


Informations dépourvues de foi publique

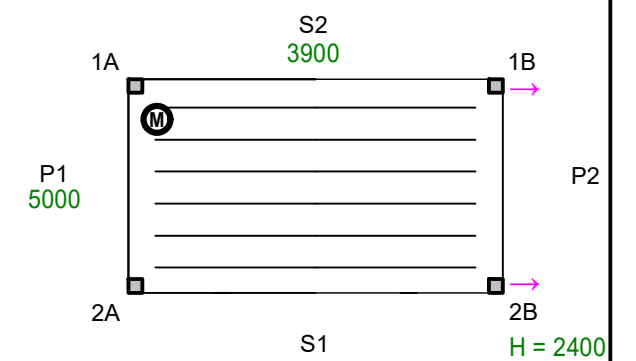
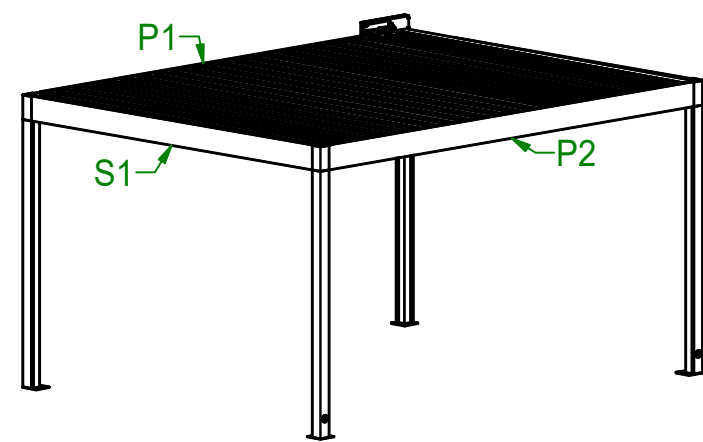
20 m

© swisstopo, Etat de Fribourg

Depending on the phase you are in you have received a quote or an order drawing. The quote drawing is a standard drawing based on a standard configuration. Any remarks and/or attachments are not visible on the quote drawing. In the order drawing we integrate as much as possible any remarks and/or attachments. Remarks or attachments that can not be integrated in the order drawing will be considered when your order goes in production.



- 1A = 120
- 2A = 120
- 1B = 120
- 2B = 120
- P1 = 0
- P2 = 0
- S1 = 0
- S2 = 0



RENSON
Creating healthy spaces
www.renson.eu - 8790 Waregem (Belgium)
This drawing is owned by RENSON and may not be copied or shown to third parties without written permission.

Orderline ref. : 20416190001000.386950	Client. :	Creation date : 16/04/2026 - 17:21:40	Color:	Sheet : 1/2
				Scale : 1 : 1
				Drawn : autohoc10
				Size : A3 units in mm